

Performance

Printer

Printhead	1 printhead 13.5mm	2 printhead 27.0mm
Print height	Up to 2 independent 13.5mm high print areas Fields can be independently placed within the print area Maximum lines of code is font size dependent (4 lines at 6 pts)	
Printhead dimensions <i>Dimensions exclude cartridge and cable connections</i>	194.60mm long 120.80mm high 122.60mm wide (at rub plate)	
Printhead mounting	Side or top orientation Directly to conveyance system or optional printhead stand	
Print speed/resolution capability <i>Print speeds and throughput are resolution, substrate, application and set-up dependent</i>	240 x 240 dpi = 51 m/min 240 x 180 dpi = 68 m/min 240 x 120 dpi = 102 m/min	
Controller dimensions <i>Dimensions exclude cartridge and cable connections</i>	245.70mm wide 142.90mm deep 203.20mm high	
Ink cartridge	42 millilitres nominal Drop size = 48 picolitres 2mm recommended throw distance	

General

8.4" TFT SVGA (800 x 800) touch screen operator interface	On-board diagnostics
Full-colour LCD touch panel interface WYSIWYG print preview	On-board memory, compact flash and/or expansion card
3 levels of password protection	Job selection and database support as standard

Software

CLARISOFT® Image Design Software	Auto best before date calculation and concession management
Full downloadable font support for Windows TrueType fonts (including multiple languages and Unicode support)	Scalable text including rotation, mirror and inverse printing
Fixed, variable and merged text fields	Flexible date/time formats
Link fields to databases	Real-time clock functions
Formats for shift coding	Auto increment/decrementing text, counters and barcodes
Mirror image printing, image rotation	User configurable drop-down list fields
Basic shape drawing	128Mb message store memory
Barcodes EAN8, EAN13, UPC-A, UPC-E, CODE 39, CODE128, EAN128, GS1 DataBar (including 2D composite), DataMatrix, QR, PDF417	

Connectivity

External inputs (fully software configurable)	USB memory stick support
External outputs	ZPL II emulation
RS232	Text communication
Ethernet	CLARINET® coder independent network management software

Services

Power supply	100 - 240V AC, 50 - 60Hz
Operating temperature	5° - 40°C
Approximate weight (controller)	10.7 lbs (4.9 kgs)

Regulatory approvals

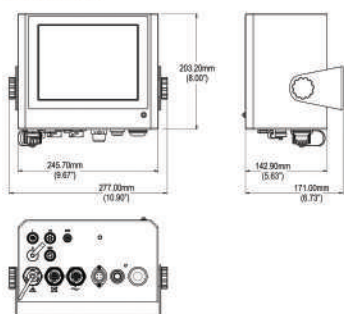
MET N RTL

CE mark

FCC

Printer Dimensions

Controller



Printhead

