

VULCAN

Corner Wrap system



Ice

VULCAN Corner Wrap

The Vulcan Corner Wrap system is ideally suited to an application that requires a single label to be applied across adjacent panels of a case or shrink wrapped product, allowing the label information to be seen from two directions.



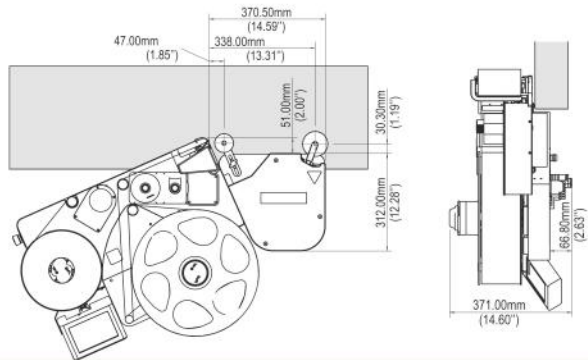
The label is applied to the trailing corner of a target product using the Direct Apply printing method, unique to the Vulcan. The Corner Wrap system has a simple, secondary pneumatic roller wipe to ensure full adhesion of the label around the corner and side of the product.

The Vulcan Corner Wrap has integrated pack detection and applicator home/extended sensor functionality to ensure accurate label placement every time. Throughput speeds can surpass typical corner wrap machines, albeit this type of system still has a lower ultimate throughput than traditional side apply labelling systems.

With Corner Wrap, the benefits of the unique technological innovation of the Vulcan can be accessed, including:

- › Simplicity with no wear parts in the Corner Wrap applicator.
- › 80% fewer wear parts, reducing constant ongoing maintenance requirements.
- › Electronic label supply to automatically adjust and maintain tension.
- › Proven clutchless thermal transfer ribbon drive.
- › Compact design and small footprint with simple integration in to existing packaging line.
- › CLARISUITE software products.

Application method	Direct Apply for side panel, pneumatic roller wipe for rear panel
Print technology	Thermal transfer printing with Intelligent Motion™ ribbon drive and direct thermal
Printhead	53mm and 107mm printhead versions Tool-free quick release printhead replacement
Print speed	40 - 500mm/sec
Throughput	Up to 48 packs per minute, dependant on label size and telescopic stroke Recommended maximum conveyor speed 30m/min
Print resolution	300dpi/ 200dpi emulation mode
Label specification	Width: 50mm - 115mm Length: 50mm - 300mm Capacity: Up to 400mm spool diameter (typically delivers over 9000 typical GS1 barcode labels per roll) Low labels and end of label detection with predicted changeover time built in as standard. Automatic adjustment for label/backing type and label size.
Compressed air	6 bar, 90psi, uncontaminated
Weight	Complete system: 47kg Corner wrap system: 7kg Vulcan with labels and ribbon: Max 40kg



Vulcan Corner Wrap Specification

For the full Vulcan specification information, please see the Vulcan product brochure.

